

## Presentation

Techniboard is an overlaid engineered wood based panel for economic multi-purpose shuttering use. One side is overlaid with a high performing Medium Density Overlay (Dynea 333) for a maximum of reuses, the reverse side is a water-resistant contifinish surface.

Techniboard produces a smooth, non glossy concrete surface finish. The panel allows best stripping and a maximum number of reuses. The number of reuses depends on good site practice, careful handling, cleaning and oiling but 8-15 reuses will be possible.

With an increasing number of reuses a slight telegraphing of the support panel might be noticed.

## Description

Techniboard composition:

- Support Kronoply 3 contifinish covered with a Medium Density Overlay (MDO) reference Dynea 333 on one side, reverse side contifinish surface.
- The 4 edges are sealed with a thick red acrylic coating.

### Physical characteristics

Thickness	18 mm
Length	2.44 m
Width	1.22 m
Moisture content	6%
Description of faces	
Face	MDO 333 (372g/m <sup>3</sup> )
Reverse	contifinish

### Mechanical characteristics

characteristics	Test	Valeurs
Dimensions tolerances		
Thickness	EN 324-1	+/- 0.3 mm
Width / Length	EN 324-1	+/- 2 mm
Squareness	EN 324-1	2mm/m
Bending Stress		
Parallel	EN 789-7	30 N/mm <sup>2</sup>
Crosswise	EN 789-8	17 N/mm <sup>2</sup>
Modulus of elasticity		
Parallel	EN 310	5.1KN/mm <sup>2</sup>
Crosswise	En 310	3.0 KN/mm <sup>2</sup>
Swelling	EN 317	< 10 %
Formaldehyde	EN 120	E1

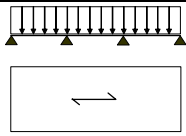
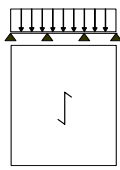
## Packaging

Bundle	52 panels/bundle
Surface by bundle	154,80 m <sup>2</sup>
Bundle by truck	13 bundles / truck
Surface by truck	2012,30 m <sup>2</sup>

## Permissible concrete pressure

The table indicates the maximum span (in mm) for the concrete pressure in uniform surface in a short time loading on a three span system.

The thickness of Techniboard is 18mm. The Deflection limits 1/300<sup>e</sup>.

Span		
	<i>lengthwise</i>	<i>crosswise</i>
150 mm	104 kN/m <sup>2</sup>	104 kN/m <sup>2</sup>
200 mm	78 kN/m <sup>2</sup>	65 kN/m <sup>2</sup>
300 mm	44 kN/m <sup>2</sup>	29 kN/m <sup>2</sup>
400 mm	24 kN/m <sup>2</sup>	16 kN/m <sup>2</sup>

## Advantages of Techniboard

- Excellent dimension tolerances: Squareness, thickness, flatness, length and width
- Strong surface
- easy to clean and reuse
- allows easy stripping
- matt concrete surface
- easy fixing, nailing and handling

## Caution - Precaution

Techniboard is not pre-oiled. Before the first use it needs to be oiled twice and thereafter once before every reuse of the panel. The careful selection of a suitable release agent will influence the quality of the finished concrete and the number of reuses of the panel.

## Finishing

Techniboard MDO surface is a ideal base for paint and is designed to be exposed to the weather when finished. The MDO should be face primed and top coated with a acrylic latex formulation color or house paint. Panel edges may be sealed with one or two heavy coats if panel intended for exterior exposure.